

## ME - CHARACTERISTICS

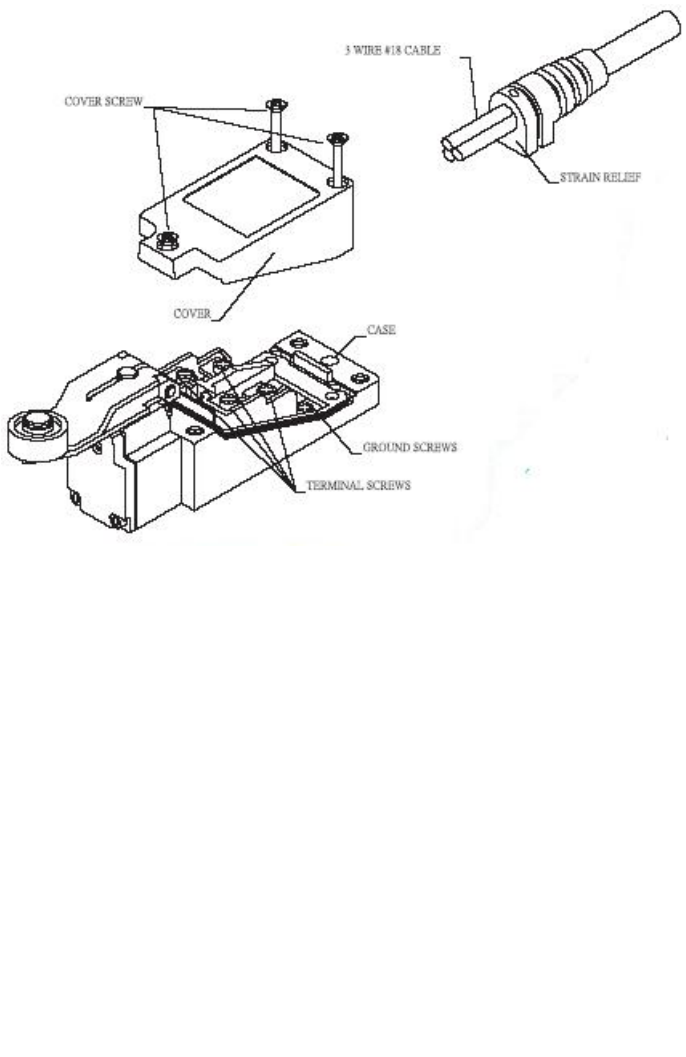
Rating	<ul style="list-style-type: none"> <li>• 5A at 250V AC (resistive)</li> <li>• 0.4A at 115V DC (resistive)</li> </ul>
Operating speed	<ul style="list-style-type: none"> <li>• 0.5mm to 50m/sec</li> </ul>
Operating frequency	<ul style="list-style-type: none"> <li>• Mechanically: 120 operations/min.</li> <li>• Electrically: 30 operations/min.</li> </ul>
Contact resistance	<ul style="list-style-type: none"> <li>• 15m <math>\Omega</math> max. (initial)</li> </ul>
Insulation resistance	<ul style="list-style-type: none"> <li>• 100M <math>\Omega</math> min. (at 500 VDC)</li> </ul>
Dielectric strength	<ul style="list-style-type: none"> <li>• 1,000 VAC, 50/60 Hz for 1 minute between non-continuous terminals</li> <li>• 2,000 VAC, 50/60 Hz for 1 minute between each terminal and non-current carrying metal part and between each terminal and ground</li> </ul>
Vibration	<ul style="list-style-type: none"> <li>• Malfunction durability: 10 to 55Hz 1.5mm double amplitude</li> </ul>
Shock	<ul style="list-style-type: none"> <li>• Mechanical durability: Approx 1,000m/sec (approx 100G's)</li> <li>• Malfunction durability: Approx. 300m/sec (approx 30G's)</li> </ul>
Ambient temperature	<ul style="list-style-type: none"> <li>• Operating: -15° to +70° C</li> </ul>
Humidity	<ul style="list-style-type: none"> <li>• 95% RH max</li> </ul>
Service life	<ul style="list-style-type: none"> <li>• Mechanically: 10,000,000 operations min</li> <li>• Electrically: 300,000 operations min.</li> </ul>
Degree of protection	<ul style="list-style-type: none"> <li>• IEC 529 class IP65</li> </ul>

## FEATURES

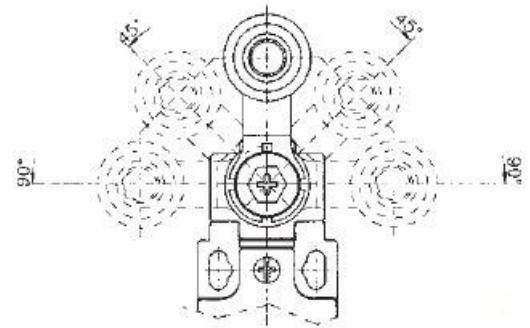
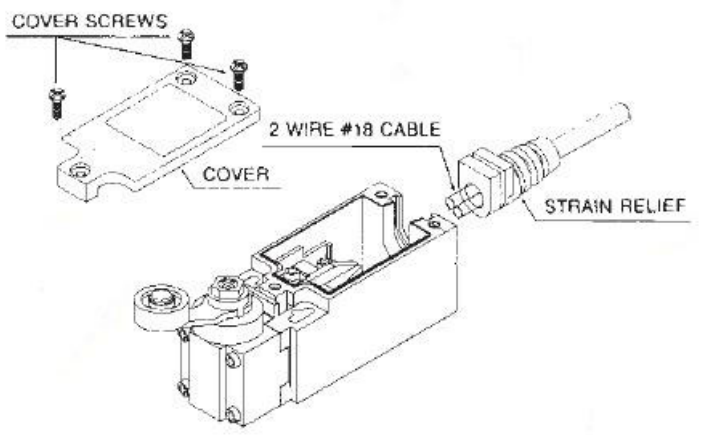
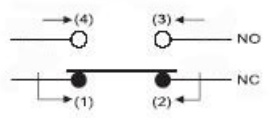
- Variety of operating characteristics
- Wide choice of heads and actuators
- Captive cover screws
- Mode of operation is field adjustable
- International grounding screw
- Dust proof, Oil-Tight, Water Resistant
- Temperature range +5° F to +160° F
- Temperature range -15° C to 70° C



**Easy Wiring Diagram**



**◆ CIRCUITRY**



FIVE OPERATING POSITIONS AVAILABLE

**Field Adjustable**

Rotary motion roller lever and rod actuators are adjustable through 360°. They may be set for operation clockwise, counter-clockwise, or in both directions. Operating heads maybe positioned in any of four 90°.

**Easy Wiring**

- Loosen cover screws and remove cover
- Remove rubber strain relief from switch cover
- slip strain relief over cable
- Fasten terminal screws tightly after inserting cables or terminals
- After wiring, insert strain relief into the groove of the switch cover
- Fasten 3 cover screws evenly. Do not over tighten
- Recommended Cable #18/2 SJT Flexible

	<b>ME-8104</b>	<b>ME-8107</b>	<b>ME-8108</b>	<b>ME-8111</b>	<b>ME-8112</b>
OF MAX	600g	203g	340g	900g	900g
RF MIN	50g	12g	21g	150g	150g
PT MAX	20°	20°	20°	1.5mm	1.5mm
OT MIN	75°	75°	75°	4.0mm	4.0mm
DT MAX	10°	10°	10°	0.7mm	0.7mm
TT MIN	*	*	95°	5mm	5mm
	<b>ME-9101</b>	<b>ME-8122</b>	<b>ME-8169</b>	<b>ME-8166</b>	
OF MAX	900g	900g	90g	90g	
RF MIN	*	150g	*	*	
PT MAX	30mm	1.5mm	30mm	30mm	
OT MIN	20mm	4.0mm	20mm	20mm	
DT MAX	*	0.7mm	*	*	
TT MIN	*	5mm	*	*	